

FLOOR BOX

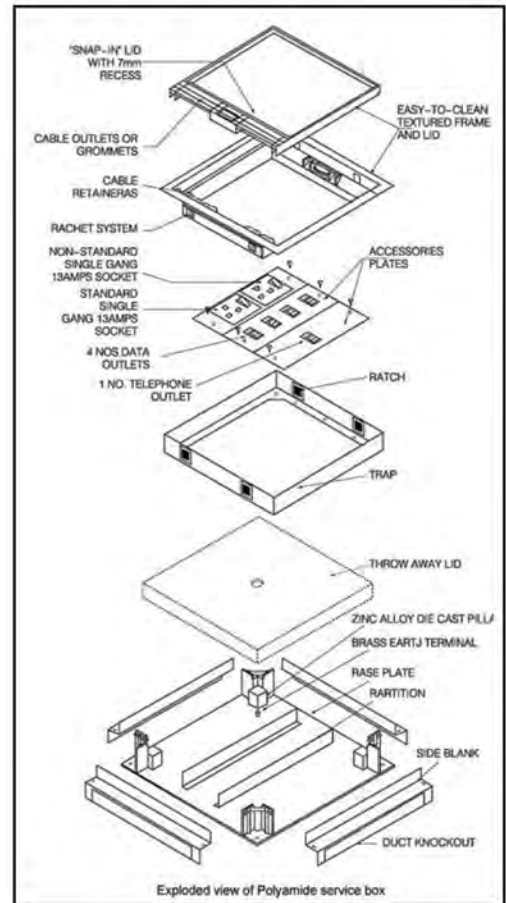


SNFB A-03 W/S



SNFB A-01 W/S

- Frame Trap and ratchet are manufactured from UL-94V-0 flame retardant ABS material.
- Pre -Galvanized Steel Sheet
- Load bearing components - Die Cast Pillars and Poly amide Carpet trims.
- Trap Frame secured to basic Box using ratchet arrangements enables easy Installation and removal .
- Steel reinforced plate placed on the recessed lid (detaches) - Helps reduce accidental damage .
- Retractable handle.



G. I. BOX

Features :

- Designed to ensure adequate mechanical strength and durability during installation and throughout life.
- Hot dipped Galvanized steel sheet.
- Easily removable knock outs.
- Ample number of knockouts to accommodate various standard glands.
- Brass earth terminal and adjustable mounting lug.



SNGB-33



SNGB-36

Model No.	Description	Dimension (mm) (L x W x H)	Thickness (mm)
SNGB-33	3x3	72 x 72 x 35	1.00 mm
SNGB-36	3x6	72 x 130 x 35	1.00 mm