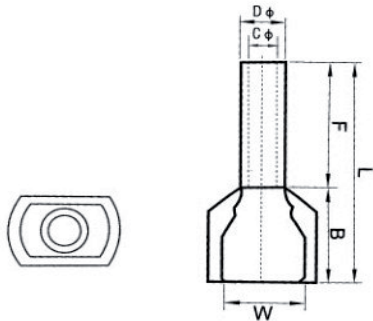


Twin Cord End Sleeves



Model Number	Wire/Cable Range Size : mm ²	Dimension (mm)						Description
		F	L	W	B	D φ	C φ	
CT205008	2 × 0.5	8.0	14.5	5.0	6.5	1.8	1.5	Material: Copper Max Voltage :105°C Ui=300V
CT275008	2 × 0.75	8.0	14.7	5.5	6.7	2.1	1.8	
CT275010	2 × 0.75	10.0	16.7	5.5	6.7	2.1	1.8	
CT210008	2 × 1.0	8.0	15.1	5.5	7.1	2.3	2.0	
CT210010	2 × 1.0	10.0	17.1	5.5	7.1	2.3	2.0	
CT215008	2 × 1.5	8.0	15.5	6.4	7.2	2.6	2.3	
CT215012	2 × 1.5	12.0	19.5	6.4	7.5	2.6	2.3	
CT225010	2 × 2.5	10.0	18.5	8.0	8.5	3.3	2.9	
CT225013	2 × 2.5	13.0	21.5	8.0	8.5	3.3	2.9	
CT240012	2 × 4.0	12.0	23.1	8.8	11.1	4.2	3.8	
CT260014	2 × 6.0	14.0	26.1	9.5	12.1	5.3	4.9	
CT210-14	2 × 10.0	14.0	26.6	12.6	12.0	6.9	6.5	
CT216-14	2 × 16.0	14.0	31.3	19.0	17.3	8.7	8.3	