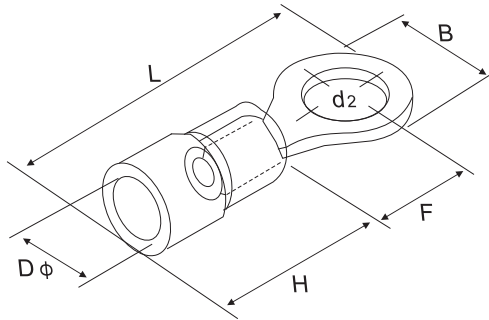


Ring Terminal



Model Number	American Screw Type	Dimension (mm)						Description
		d2(mm)	B	L	F	H	Dφ	
VR1-3	#4	3.2	5.7	17.8	4.95	10.0	4.3	Material : Copper Applicable Wire Range 0.5 ~ 1.5mm2 AWG 22 ~ 16 Maximum current: I _{max} = 19A
VR1-3.5	#6	3.7	5.7	17.8	4.95			
VR1-3.5M	#6	3.7	6.6	20.1	6.3			
VR1-4	#8	3.7	7.2	21.5	7.0			
VR1-4L	#8	4.3	8.0	21.5	7.0			
VR1-5	#10	4.3	8.0	21.5	7.0			
VR1-5M	#10	5.3	8.0	21.5	7.0			
VR1-5L	#10	6.5	11.6	27.5	11.1			
VR1-6	1/4	6.5	9.5	23.0	8.0			
VR1-6L	1/4	6.5	11.6	27.5	11.1			
VR1-8	5/16	8.5	11.6	27.5	11.1			
VR1-10	3/8	10.5	13.6	31.6	13.9			
VR1-10L	3/8	10.5	19.2	35.0	16.0			
VR1-12	1/2	13.0	19.2	35.0	16.0			
VR2-3	#4	3.2	6.6	17.8	4.3	10.0	4.9	Material : Copper Applicable Wire Range 1.5~2.5mm2 AWG 16 ~ 14 Maximum current: I _{max} = 27A
VR2-3.5	#6	3.7	6.6	17.8	4.3			
VR2-3.5M	#6	3.7	6.6	21.0	7.0			
VR2-3.5L	#6	3.7	8.5	22.5	7.75			
VR2-4	#8	4.3	6.6	21.0	7.0			
VR2-4L	#8	4.3	8.5	22.5	7.75			
VR2-5	#10	5.3	8.5	22.5	7.75			
VR2-5L	#10	5.3	9.5	22.5	7.25			
VR2-6	1/4	6.5	9.5	22.5	7.25			
VR2-6L	1/4	6.5	12.0	27.6	11.0			
VR2-8	5/16	8.5	12.0	27.6	11.0			
VR2-10	3/8	10.5	13.6	30.2	13.9			
VR2-10L	3/8	10.5	19.2	35.0	16.0			
VR2-12	1/2	13.0	19.2	35.0	16.0			
VR3.5-4	#8	4.3	8.0	34.5	7.7	12.5	6.2	Material : Copper Applicable Wire Range 2.5~4mm2 AWG 14 ~ 12 Maximum current: I _{max} = 37A
VR3.5-5	#10	5.3	8.0	34.5	7.7			
VR3.5-5L	#10	5.3	12.0	27.9	7.7			
VR3.5-6	1/4	6.5	12.0	27.9	7.7			
VR3.5-8	5/16	8.5	15.0	32.0	13.5			
VR3.5-10	3/8	10.5	15.0	32.0	13.5			
VR3.5-12	1/2	13.0	19.2	38.1	16.0			
VR 5.5-3.5	#6	3.7	7.2	21.4	5.9	12.5	6.7	Material : Copper Applicable Wire Range 4~6mm2 AWG 12~10 Maximum current: I _{max} = 48A
VR5.5-4	#8	4.3	7.2	21.4	5.9			
VR5.5-4L	#8	4.3	9.5	25.5	8.3			
VR5.5-5	#10	5.3	9.5	25.5	8.3			
VR5.5-6	1/4	6.5	12.0	31.5	13.0			
VR8.5-8	5/16	8.5	15.0	33.7	13.7			
VR8.5-10	3/8	10.5	15.0	33.7	13.7			
VR8.5-12	1/2	13.0	19.2	38.1	16.0			