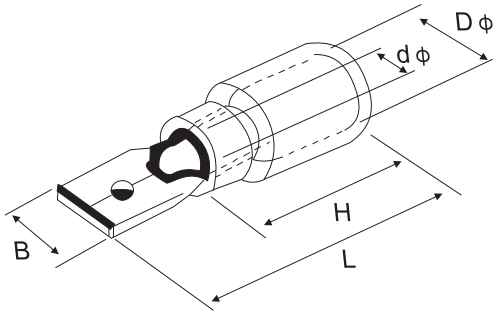
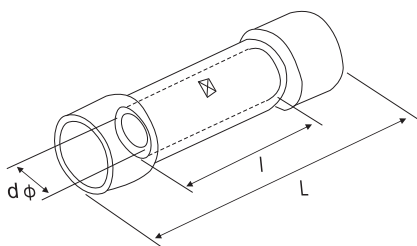


Male Disconnecter



Model Number	Name Tab (mm)	Thickness	Dimension(mm)					Description
			B	D φ	d φ	L	H	
VD 1 - 2.8M	0.5×2.8	0.5	2.8	1.7	4.3	17.7	10.0	Material: Brass Applicable Wire Range 0.5 ~ 1.5mm ² AWG 22 ~ 16 Maximum current: I _{max} = 10A
VD 1 - 2.8M (8)	0.8×2.8	0.8	2.8	1.7	4.3	17.7	10.0	
VD 1 - 4.7M	0.5×4.75	0.5	4.75	1.7	4.3	20.0	10.0	
VD 1 - 4.7M (8)	0.8×4.75	0.8	4.75	1.7	4.3	20.0	10.0	
VD 1 - 6.3M	0.8×6.35	0.4×2	6.35	1.7	4.3	21.0	10.0	Material: Brass Applicable Wire Range 1.5~2.5mm ² AWG 16~14 Maximum current: I _{max} = 15A
VD 2 - 2.8M	0.5×2.8	0.5	2.8	2.3	4.3	17.7	10.0	
VD 2 - 2.8M (8)	0.8×2.8	0.8	2.8	2.3	4.3	17.7	10.0	
VD 2 - 4.7M	0.5×4.75	0.5	4.75	2.3	4.3	20.0	10.0	
VD 2 - 4.7M (8)	0.8×4.75	0.8	4.75	2.3	4.3	20.0	10.0	Material: Brass Applicable Wire Range 1.5~2.5mm ² AWG 16~14, Maximum current: I _{max} = 15A
VD 2 - 6.3F	0.8×6.35	0.4×2	6.35	2.3	4.3	21.0	10.0	
VD 5 - 4.7M	0.5×4.75	0.5	4.75	3.4	5.7	23.0	13.0	
VD 5 - 6.3M	0.8×6.35	0.4×2	6.35	3.4	5.7	25.0	13.0	

Butt Connector



ITEM NO	AMERICAN WIRE GAGE	THICKNESS	DIMENSION			AMPERE RATING
		mm ²	l	d φ	L	
VBS 1	22 - 16	0.5 - 1.5	15.0	1.7	26.0	19 A
VBS 2	16 - 14	1.5 - 2.5	15.0	2.3	26.0	27 A
VBS 5	12 - 10	4 - 6	15.0	3.4	26.0	48 A
VBS 8	# 8	6 - 10	21.0	4.5	32.0	62 A
VBS 14	# 6	10 - 16	26.0	5.8	42.0	88 A
VBS 22	# 4	16 - 25	29.0	7.7	50.0	115 A
VBS 38	# 2	35 - 50	32.0	9.4	55.0	160 A
VBS VT 1	22 / 16	0.5 - 1.5	8.0	1.7	16.0	19 A
VBS VT 2	16 / 14	1.5 - 2.5	8.0	2.3	16.0	27 A
VBS VT 5	12 / 10	4 - 6	8.5	3.4	20.5	48 A