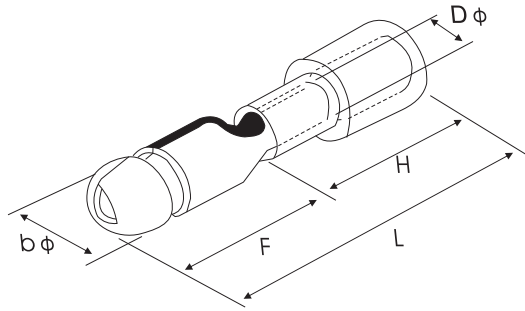
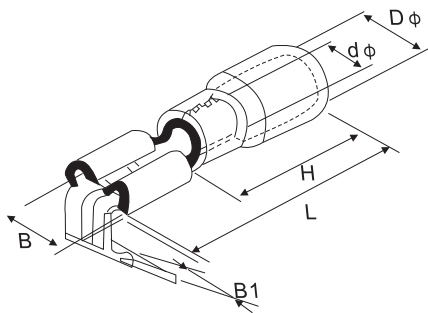


## Male Bullet Joint



Model Number	Dimension (mm)					Description
	bφ	F	Dφ	H	L	
MPB 1.25-156	4.0	11.0	1.7	10.0	21.0	Material: Brass, Applicable Wire Range 0.5~1.5mm <sup>2</sup> AWG : 22~16, Maximum current: I <sub>max</sub> = 10A
MPB 2-156	4.0	11.0	2.3	10.0	21.0	Material: Brass, Applicable Wire Range 1.5~2.5mm <sup>2</sup> AWG : 16~14, Maximum current: I <sub>max</sub> = 15A
MPB 2-195	5.0	11.0	2.3	10.0	21.0	
MPB 5.5-195	5.0	12.0	3.4	13.0	25.0	Material: Brass, Applicable Wire Range 4~6mm <sup>2</sup> AWG : 12~10, Maximum current: I <sub>max</sub> = 24A

## Piggy Back



Model Number	Name Tab (mm)	Dimension(mm)					Description	
		B	B1	H	Dφ	dφ		L
VPB 1.25-250	0.8×6.35	7.4	6.35	10.0	3.8	1.7	21.5	Material: Copper, Applicable Wire Range 0.5 ~ 1.5mm <sup>2</sup> AWG 22 ~ 16, Maximum current: I <sub>max</sub> = 10A
VPB 2-250	0.8×6.35	7.4	6.35	10.0	4.3	2.3	21.5	Material: Copper, Applicable Wire Range 1.5~2.5mm <sup>2</sup> AWG 16~14, Maximum current: I <sub>max</sub> = 15A
VPB 5.5-250	0.8×6.35	7.4	6.35	13.0	5.7	3.4	25.0	Material: Copper, Applicable Wire Range 4~6mm <sup>2</sup> AWG 12~10, Maximum current: I <sub>max</sub> = 24A