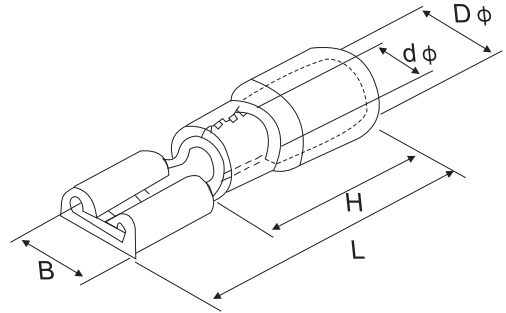


## Female Connector



Model Number	Name Tab (mm)	Thickness	Dimension(mm)					Description
			B	Dφ	dφ	L	H	
VD 1 - 2.8F	0.5×2.8	0.3	3.8	3.8	1.7	19.0	10.0 Material: Brass Applicable Wire Range 0.5 ~ 1.5mm <sup>2</sup> AWG 22 ~ 16 Maximum current: I <sub>max</sub> = 19A	
VD 1 - 2.8 F(8)	0.8×2.8	0.3	3.8	3.8	1.7	19.0		
VD 1 - 4.7F	0.5×4.75	0.35	5.6	3.8	1.7	19.0		
VD 1 - 4.7F (8)	0.8×4.75	0.35	5.6	3.8	1.7	19.0		
VD 1 - 5.2F	0.5×5.2	0.35	6.5	3.8	1.7	20.0		
VD 1 - 6.3F	0.8×6.35	0.4	7.4	3.8	1.7	21.0		
VD 2 - 2.8F	0.5×2.8	0.3	3.8	4.3	2.3	19.0	10.0 Material: Brass Applicable Wire Range 1.5~2.5mm <sup>2</sup> AWG 16~14 Maximum current: I <sub>max</sub> = 15A	
VD 2 - 2.8F (8)	0.8×2.8	0.3	3.8	4.3	2.3	19.0		
VD 2 - 4.7F	0.5×4.75	0.35	5.6	4.3	2.3	19.0		
VD 2 - 4.7F (8)	0.8×4.75	0.35	5.6	4.3	2.3	19.0		
VD 2 - 5.2F	0.5×5.2	0.35	6.5	4.3	2.3	20.0		
VD 2 - 6.3F	0.8×6.35	0.4	7.4	4.3	2.3	21.0		
VD 2 - 8F	0.8×8.0	0.4	9.0	4.3	2.3	23.0	14.0 Material: Brass Applicable Wire Range 4~6mm <sup>2</sup> AWG 12~10 Maximum current: I <sub>max</sub> = 24A	
VD 5 - 4.7F	0.5×4.75	0.4	5.6	3.4	5.7	23.0		
VD 5 - 6.3F	0.8×6.35	0.4	7.4	3.4	5.7	25.0		
VD 5 - 9.4F	1.2×9.4	0.5	10.9	3.4	5.7	29.6		