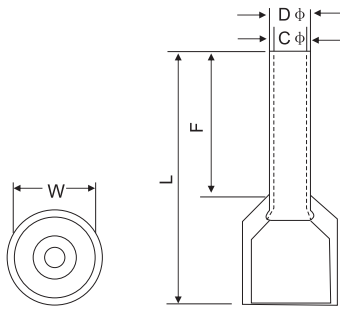


Cord End Sleeves

Insulated Lugs



ITEM NO	Dimension (mm)						(mm ²)	Description
	F	L	W	Dφ	Cφ	A.W.G		
CE 003006	6.0	10.5	4.5	1.1	0.8	#24	0.3	Material: Copper Insulation material: Nylon Max Voltage : 105°C Ui=300V
CE 003008	8.0	12.5						
CE 005006	6.0	12.0	2.5	1.3	1.0	#22	0.5	
CE 005008	8.0	14.0						
CE 005010	10.0	16.0						
CE 005012	12.0	18.0						
CE 007506	6.0	12.4	2.8	1.5	1.2	#20	0.75	
CE 007508	8.0	14.6						
CE 007510	10.0	16.4						
CE 007512	12.0	18.4						
CE 007518	18.0	24.4						
CE 010006	6.0	12.4	3.0	1.7	1.4	#18	1.0	
CE 010008	8.0	14.6						
CE 010010	10.0	16.4						
CE 010012	12.0	18.4						
CE 010018	18.0	24.4						
CE 015008	8.0	14.6	3.5	2.0	1.7	#16	1.5	
CE 015010	10.0	16.4						
CE 015012	12.0	18.4						
CE 015015	15.0	21.4						
CE 015018	18.0	24.4						
CE 025008	8.0	15.2	4.0	2.6	2.3	#14	2.5	
CE 025010	10.0	17.2						
CE 025012	12.0	19.2						
CE 025018	18.0	25.2						
CE 040009	9.0	16.5	4.4	3.2	2.8	#12	4.0	
CE 040012	12.0	19.5						
CE 040018	18.0	25.5						
CE 060010	10.0	18.0	6.3	3.9	3.5	#10	6.0	
CE 060012	12.0	20.0						
CE 060018	18.0	26.0						
CE 100012	12.0	21.5	7.6	4.9	4.5	#7	10.0	
CE 100018	18.0	27.5						
CE 160012	12.0	22.2						8.8
CE 160018	18.0	28.2						
CE 250016	16.0	29.0	11.2	7.9	7.5	#4	25.0	
CE 250022	22.0	35.0						
CE 350016	16.0	30.0	12.7	8.7	8.3	#2	35.0	
CE 350025	25.0	39.0						
CE 500020	20.0	36.0						15.3