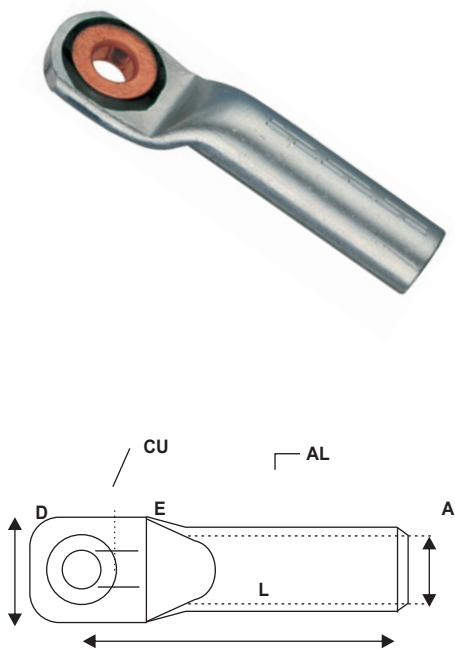


### ALUMINIUM - COPPER LUGS BI-METALIC (RING TYPE)

MATERIAL: ALUMINIUM BARREL : 99.6%  
COPPER : 99.95%



Product Ref.	Size mm <sup>2</sup>	Dimensions mm		
		A	D	L
HGRBM 16-8.5	16	6	25	63
HGRBM 16-10.5	16	6	27	63
HGRBM 25-8.5	25	7	25	63
HGRBM 25-10.5	25	7	25	63
HGRBM 25-13	25	7	32	65
HGRBM 35-8.5	35	8.3	28	70
HGRBM 35-10.5	35	8.3	29	70
HGRBM 35-13	35	8.3	32	70
HGRBM 50-8.5	50	10	28	75
HGRBM 50-10.5	50	10	30	75
HGRBM 50-13	50	10	32	75
HGRBM 70-10.5	70	11.5	32	85
HGRBM 70-13	70	11.5	32	85
HGRBM 95-10.5	95	13.5	34	90
HGRBM 95-13	95	13.5	34	90
HGRBM 95-17	95	13.5	34	90
HGRBM 120-13	120	14.8	34	90
HGRBM 120-17	120	14.8	34	90
HGRBM 150-13	150	16.5	38	100
HGRBM 150-17	150	16.5	38	100
HGRBM 185-13	185	18.3	41	105
HGRBM 185-17	185	18.3	41	105
HGRBM 185-21	185	18.3	48	105
HGRBM 240-17	240	21	48	121
HGRBM 240-21	240	21	48	121
HGRBM 300-17	300	23.4	50	124
HGRBM 300-21	300	23.4	50	124

(All Dimensions in mm)