

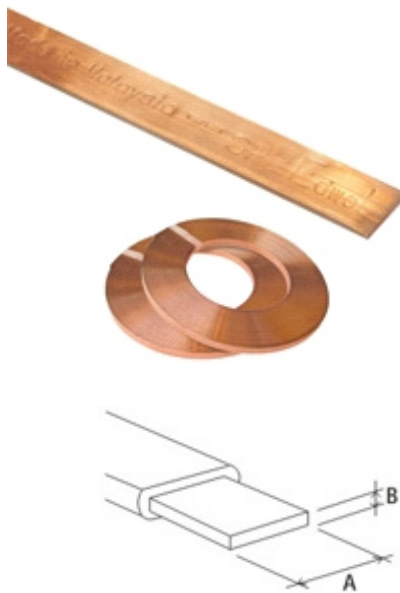
HARD DRAWN COPPER BAR

MATERIAL : HARD DRAWN OXYGEN FREE COPPER
AS PER BS: 2874 C101 / C 103

PRODUCT REF.	CONDUCTOR SIZE (AXB) MM
HGHDCB253	25 X 3
HGHDCB256	25 X 6
HGHDCB386	38 X 6
HGHDCB506	50 X 6
HGHDCB5010	50 X 10
HGHDCB756	75 X 6
HGHDCB1006	100 X 6

BARE COPPER TAPE

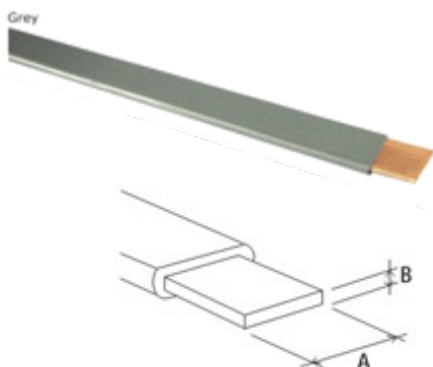
MATERIAL : OXYGEN FREE COPPER
AS PER BS EN: 13601 (FORMERLY BS: 1432 C101 / C103)



PRODUCT REF.	CONDUCTOR SIZE (AXB) MM	PRODUCT REF.	CONDUCTOR SIZE (AXB) MM
HGBCT121	12.5 X 1.5	BCT313	31 X 3
HGBCT123	12.5 X 3	BCT316	31 X 6
HGBCT201	20 X 1.5	BCT383	38 X 3
HGBCT203	20 X 3	BCT385	38 X 5
HGBCT251	25 X 1.5	BCT386	38 X 6
HGBCT253	25 X 3	BCT403	40 X 3
HGBCT254	25 X 4	BCT404	40 X 4
HGBCT256	25 X 6	BCT405	40 X 5
HGBCT302	30 X 2	BCT406	40 X 6
HGBCT303	30 X 3	BCT503	50 X 3
HGBCT304	30 X 4	BCT504	50 X 4
HGBCT305	30 X 5	BCT506	50 X 6

PVC INSULATED COPPER TAPE

MATERIAL : OXYGEN FREE COPPER
AS PER BS EN: 13601 (FORMERLY BS: 1432 C101 / C103)



PRODUCT REF.	CONDUCTOR SIZE (AXB) MM
HGPCT253	25 X 3
HGPCT256	25 X 6
HGPCT503	50 X 3
HGPCT506	50 X 3