


### Classification

Class I   
220 to 240VAC  
50Hz | PF:>0.9

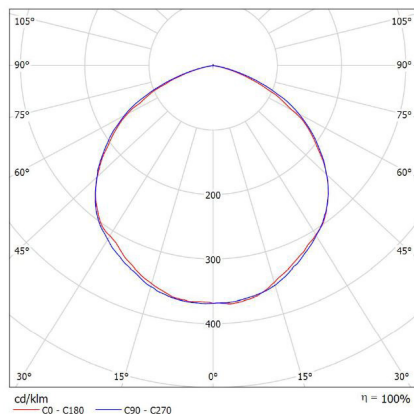
### CCT

3000K, 4000K, 5000K, 6500K  
CRI: >82 Ra

### Applications

Outdoor  
Park  
Stadium  
Stairway  
Factories  
Cold stores  
Advertising signs

### Light Distribution

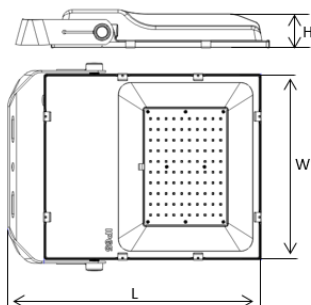


Beam Angle: 120°

### Construction:

Body: Die-cast aluminum  
Diffuser: Toughened gals  
Ambient temperature: 0°C to 50°C  
IP65

### Dimensions



# Flood Light FL 11A

### Features:

- High brightness, stable performance and long life span
- Instant start, no flickering and Ideal for frequent switching
- High stability
- High energy Savings
- Rated lifetime: 20,000 hours



### Product Variants

Product Code	Wattage	lumens (lm)	lm/W	Dimension: mm AxB
FL50A	50W	5000	100	230x195x57
FL100-01X-068	100W	11000	110	270x250x90
FL150-01X-008	150W	16500	110	350x310x90
FL200-01X-468	200W	22000	110	410x350x90

### Frater Euro-Electricals. S.A.

Passeig de Gràcia, Barcelona, Spain.  
Contact: [luminasales@awrostamani.com](mailto:luminasales@awrostamani.com)  
Tel:+971-4-5262333